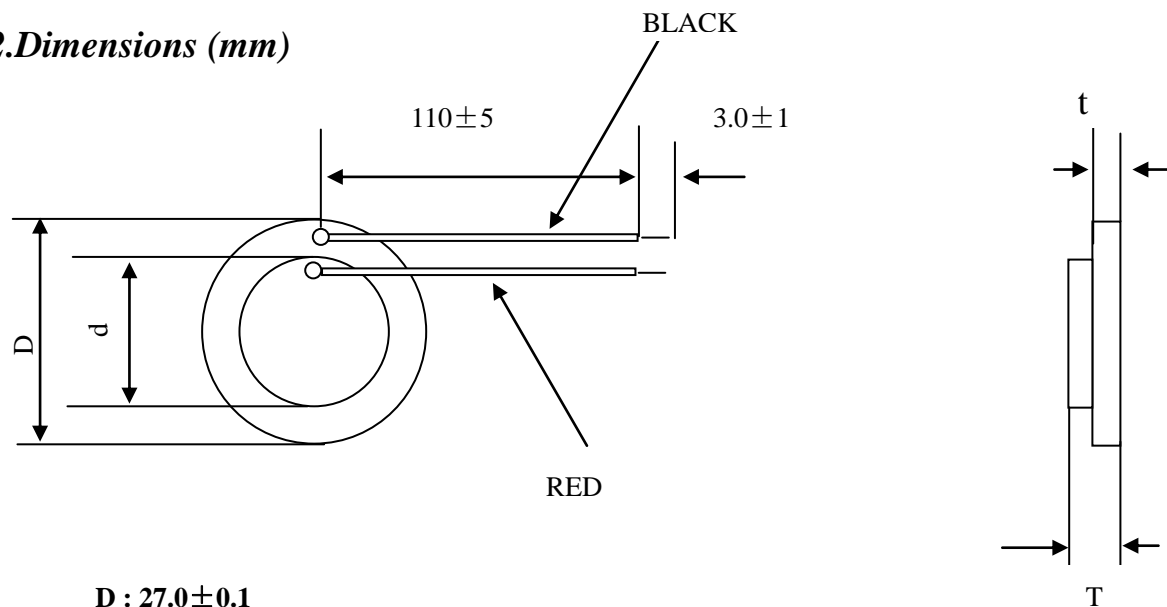


CZ27442110**1.Electrical Characteristics**

Type	Extenal drive type element
Resonant Frequency(KHz)	4.4±0.5
Input Voltage(V _{P-P} /max)	30
Resonant Impedance(Ω /max)	300
Capacitance(pF)	18000±30%
Operating Temperature(°C)	-20 ~ +60
Storage Temperature(°C)	-20 ~ +70
Base Material	Brass
Lead Wire	34AWG

2.Dimensions (mm)

D : 27.0 ± 0.1
d : 19.8 ± 0.2
T : 0.50 ± 0.05
t : 0.25 ± 0.05

Unit : mm