

	DATE	07-05-10	SPECIFICATION	dBace Electronic Co., Ltd
	PAGE	1/5		www.dbace-buzzer.con.tw
	<i>MODEL NAME: ET-1224P</i>			

SPECIFICATION FOR APPROVAL ELECTRIC SOUNDER

Model Name	ET-1224P
Note	

CUSTOMER	
Customer name / Stamp / Sign / Date	DRAWN: 许海
	CHECKED: 李小芬
	APPROVED: 宋雪琪

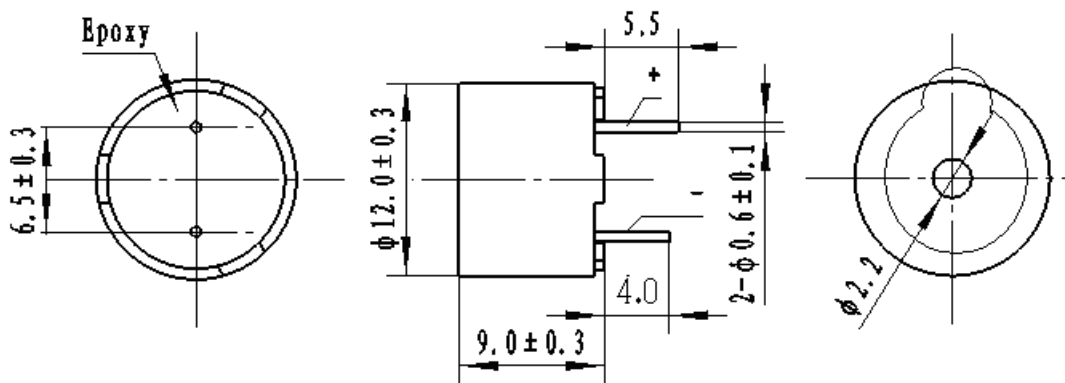
ELECTRIC-MAGNETIC TRANSDUCER

1	Rated Voltage (V)	5
2	Operating Voltage (V)	3~7
3	Resonant Frequency (Hz)	2400
4	Coil Resistance (Ω)	45 ± 5
5	*Sound Output at 10cm (dB)	≥ 90
6	*Current Consumption (mA)	≤ 40
7	Operating Temperature ($^{\circ}\text{C}$)	-40~+70
8	Storage Temperature ($^{\circ}\text{C}$)	-40~+80
9	Weight (g)	2
10	Case material and colour	PPO/Black

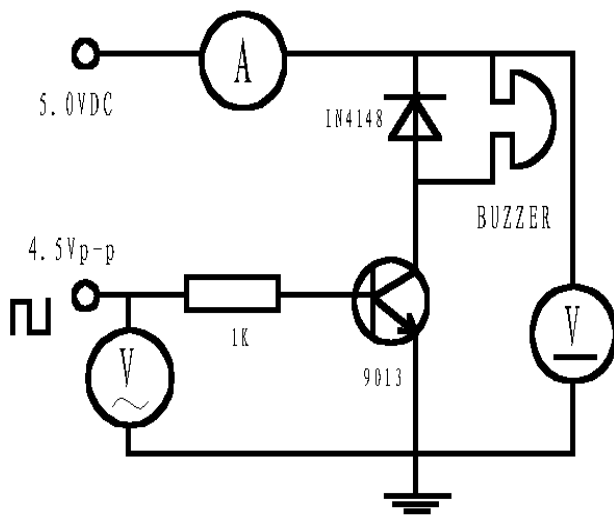
*Applying rated voltage (Resonant frequency, 1/2duty, Square wave)

DIMENSIONS (UNIT: mm)

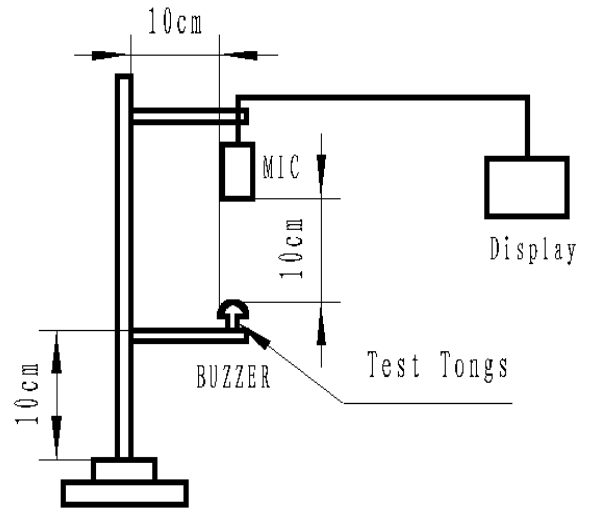
Tolerance: $\pm 0.5\text{mm}$ Except Specified



TEST METHOD:

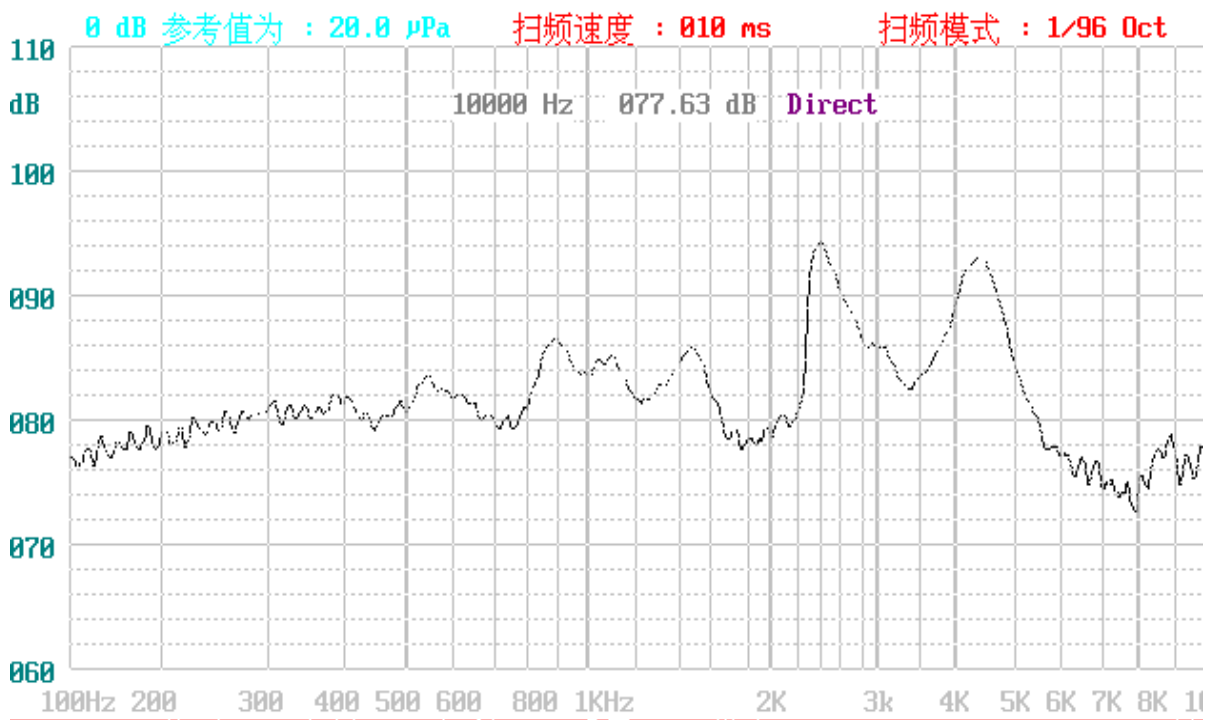


Test Circuit



Test Equip

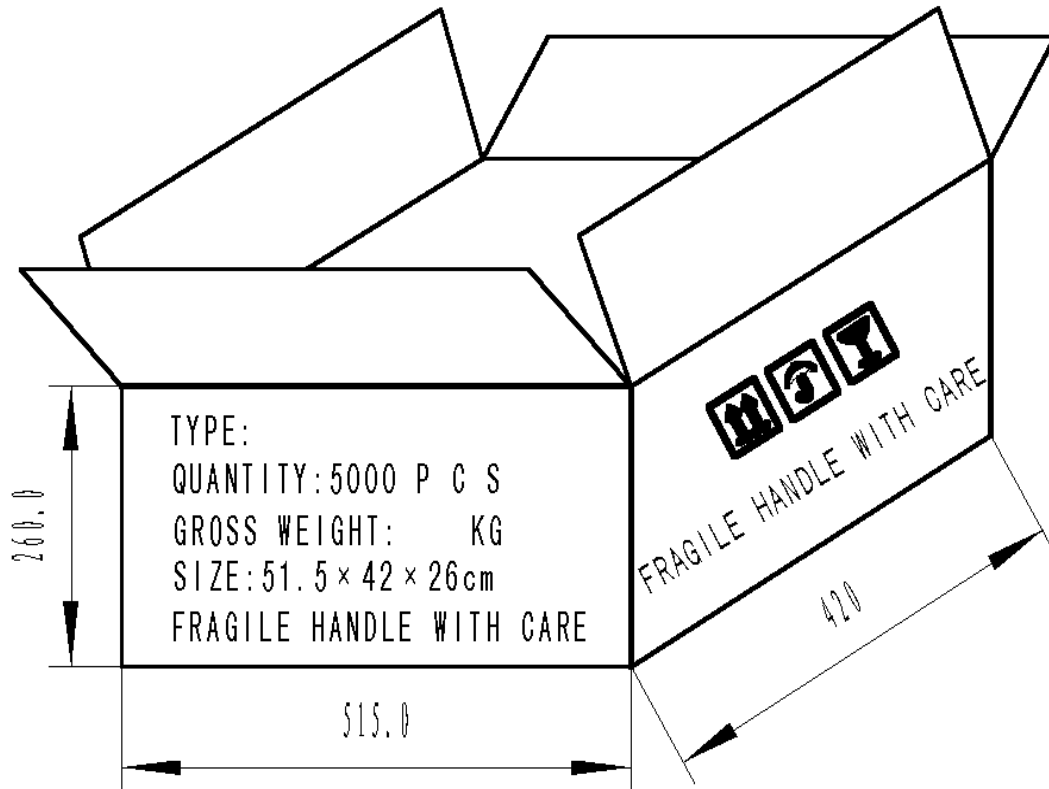
FREQUENCY RESPONSE:



RELIABILTY TEST:

NO.	ITEM	TESTING CONDITION	VARIANCE AFTER TEST
1	Humidity	$40 \pm 5^{\circ}\text{C}$, 93(+2/-3)%RH, 96HRS	All specifications must be satisfied after the test.
2	High temp.	$+80 \pm 2^{\circ}\text{C}$, 96HRS	
3	Low temp.	$-30 \pm 2^{\circ}\text{C}$, 96HRS	
4	Temperature Cycling	$-30 \pm 2^{\circ}\text{C}$, 30minutes room temp. 15 minutes $+80 \pm 2^{\circ}\text{C}$, 30 minutes room temp. 15 minutes 5 cycles	
5	Drop test	3 times from height of 70cm onto the surface of 10mm thick wooden board.	
6	Vibration test	Make the test for the directions of X Y and Z (total 0.5 hours). To-and-fro. sweep time (from 10 to 55 Hz and then from 55 to 10 Hz) under single amplitude of 1.0mm is 1 minute.	
7	Solder heat resistance	The part leads (pins) shall be immersed in molten solder maintained at $250 \pm 10^{\circ}\text{C}$ for a period of 30 seconds.	After the test part shall meet specifications without any degradation in appearance and performance.

PACKING:



NOTES:

1. 100 PCS per box
2. Total 50 boxes per carton
3. Total 5000 PCS carton
4. Volume: $51.5 \times 42 \times 26$ cm